

PRODOTTO

# WALL BOX 2 SOCKETS WITH LOCK

204.WD23B-T2T2MA



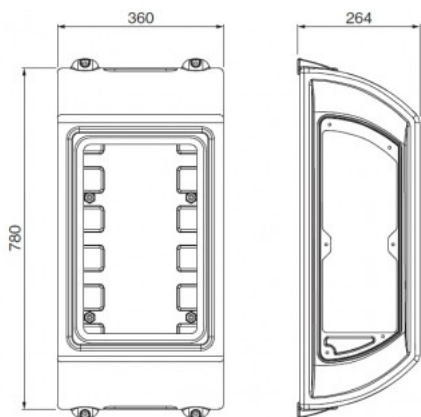
## FEATURES

- Charge in mode 3 with pwm circuit pilot
- Identification of connected cord-set size
- Protection against overcurrents and electric shock
- Protection against direct contact Safety Child Shutters
- Energy metering and current consumption
- Identification of authorized user
- Managing of lid locking and latching system
- Charge managing in case of power outage
- Working in mode stand-alone free or personal
- Predisposition for serial communication
- Interfacing with OCPP Central Station

## EQUIPMENT

- 2 lighting bars with RGB led
- 1 terminal strip 1x35mm<sup>2</sup>
- 1 main switch 4P 80A
- 2 circuit breakers 3P+N C40 30mA ist. A
- 2 digital energy meters MID 3P+N 65A
- 2 modular contactors 4P 40A 24Vdc
- 2 DC Leakage detectors
- 1 fuse holder 1P+N gG 4A
- 1 power supply 24Vdc 60W
- 2 control cards
- 2 lcd display 2x20 rows backlight
- 2 readers RFID 13,56MHz
- 2 stop charge push-buttons (mode free)
- 1 local server wired with OCPP 1.6J protocol
- 1 backup battery

## SIZE



## TECHNICAL SPECIFICATIONS

PROTECTION DEGREE IP	IP54
WORKING FREQUENCY	50/60Hz
COLOUR	GREY
COMMERCIAL SERIES	LIBERA Series
MOUNTING VERSION	SURFACE MOUNTING
MATERIAL	ENGINEERING PLASTIC
GLOW WIRE	GW 650°C
RATED VOLTAGE	400V
POLES	3P+N+E
EV STANDARD	Type 2 3P+N+E 32A 400V~ 22kW
WORKING TEMPERATURE	-30°C/+50°C
DIMENSIONS	360x780x264mm
PROTECTION DEGREE IK	IK10

---

RATED CURRENT

63A

---